

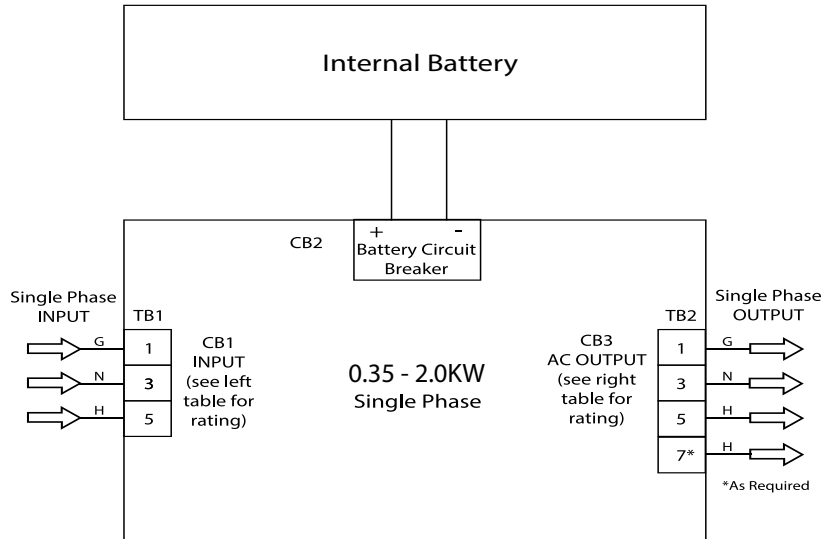
Sonoran 1 Series

Integration



Single Phase: 0.35 - 2KW

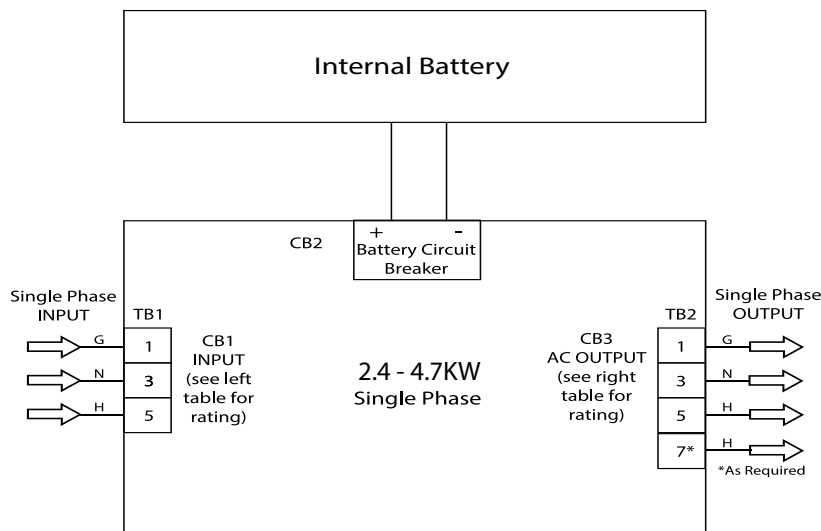
KW	Input Voltage	Utility Feed Amps
0.35	120	5
	208	3
	240	2.6
	277	2.2
	480	1.3
0.525	120	7.7
	208	4.4
	240	3.8
	277	3.3
	480	1.9
0.7	120	10.2
	208	5.9
	240	5.1
	277	4.4
	480	2.6
0.875	120	12.8
	208	7.4
	240	6.4
	277	5.5
	480	3.2
1.05	120	15.3
	208	8.8
	240	7.7
	277	6.6
	480	3.8
1.4	120	20.4
	208	11.8
	240	10.2
	277	8.8
	480	5.1
2.0	120	29.2
	208	16.8
	240	14.6
	277	12.6
	480	7.3



KW	Output Voltage	Max Output Amps
0.35	120	2.9
	277	1.3
	480	0.7
	120/240*	2.9/1.5
	120/277*	2.9/1.3
0.525	120	4.4
	277	1.9
	480	1.1
	120/240*	4.4/2.2
	120/277*	4.4/1.9
0.7	120	5.8
	277	2.5
	480	1.5
	120/240*	5.8/2.9
	120/277*	5.8/2.5
0.875	120	7.3
	277	3.2
	480	1.8
	120/240*	7.3/3.6
	120/277*	7.3/3.2
1.05	120	8.8
	277	3.8
	480	2.2
	120/240*	8.8/4.4
	120/277*	8.8/3.8
1.4	120	11.7
	277	5.1
	480	2.9
	120/240*	11.7/5.8
	120/277*	11.7/5.1
2.0	120	16.7
	277	7.2
	480	4.2
	120/240*	16.7/8.3
	120/277*	16.7/7.2

Single Phase: 2.4 - 4.7KW

KW	Input Voltage	Utility Feed Amps
2.4	120	35
	208	20.2
	240	17.5
	277	15.2
	480	8.75
2.6	120	38
	208	22
	240	19
	277	16.5
	480	9.5
3.0	120	43.8
	208	25.3
	240	22
	277	19
	480	10.9
3.4	120	49.6
	208	28.6
	240	24.8
	277	21.5
	480	12.4
3.8	120	55.4
	208	32
	240	27.7
	277	24
	480	13.9
4.2	120	61.3
	208	35.4
	240	30.7
	277	26.6
	480	15.3
4.7	120	68.6
	208	39.6
	240	34.3
	277	29.7
	480	17.1



*Consult factory for other wattages

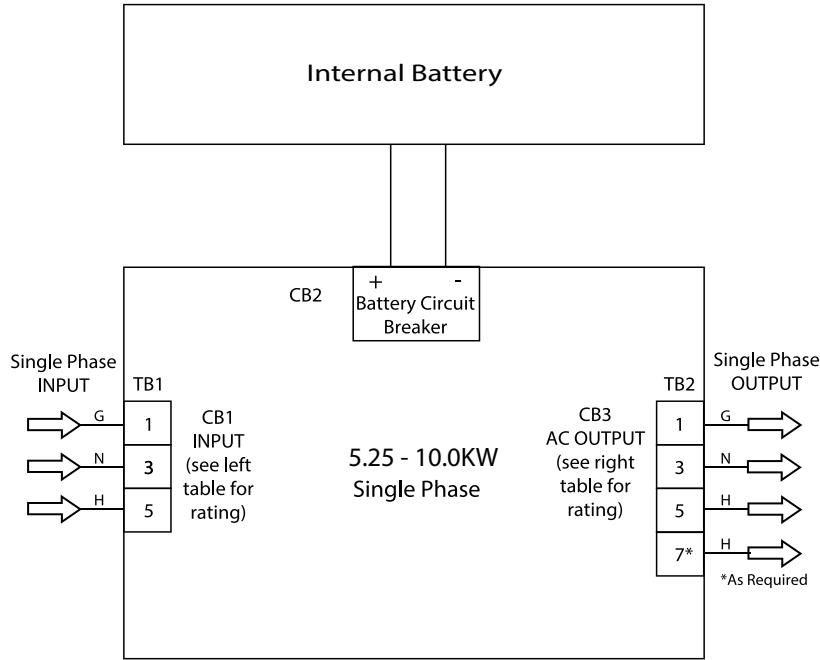
KW	Output Voltage	Max Output Amps
2.4	120	20
	277	8.7
	480	5
	120/240*	20/10
	120/277*	20/8.7
2.6	120	21.7
	277	9.4
	480	5.4
	120/240*	21.7/10.8
	120/277*	21.7/9.4
3.0	120	25
	277	10.8
	480	6.3
	120/240*	25/12.5
	120/277*	25/10.8
3.4	120	28.4
	277	12.3
	480	7.1
	120/240*	28.4/14.2
	120/277*	28.4/12.3
3.8	120	31.7
	277	13.7
	480	7.9
	120/240*	31.7/15.9
	120/277*	31.7/13.7
4.2	120	35
	277	15.2
	480	8.8
	120/240*	35/17.5
	120/277*	35/15.2
4.7	120	39.2
	277	17
	480	9.8
	120/240*	39.2/19.6
	120/277*	39.2/17

Sonoran 1 Series

Integration

Single Phase: 5.25 - 10KW

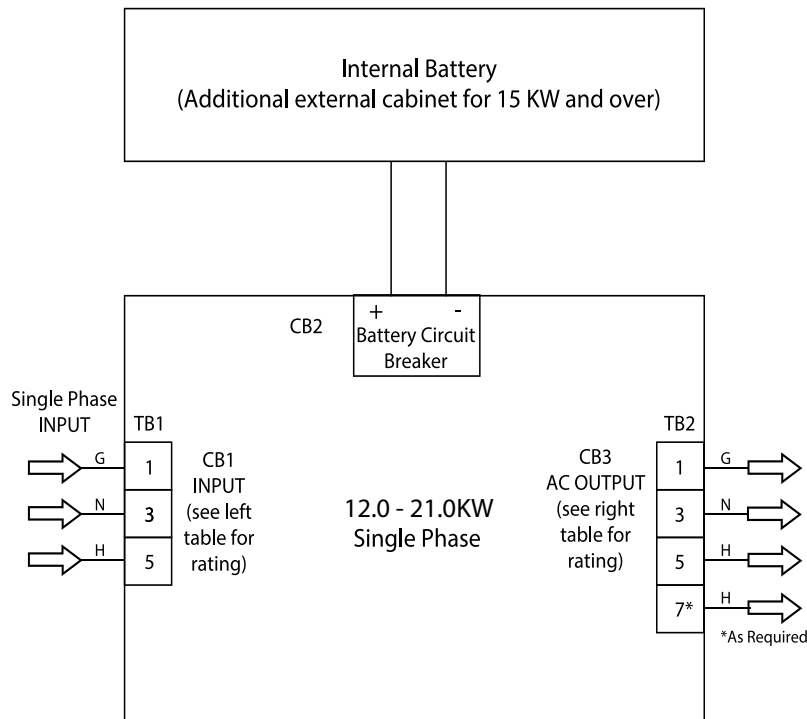
KW	Input Voltage	Utility Feed Amps
5.25	120	76.6
	208	44.2
	240	38.3
	277	33.5
	480	19.1
7.0	120	102.1
	208	58.9
	240	51
	277	44.2
	480	25.5
8.0	120	116.7
	208	67.3
	240	58.4
	277	50.6
	480	29.2
10.0	120	146
	208	84.2
	240	73
	277	63.2
	480	36.5



KW	Output Voltage	Max Output Amps
5.25	120	43.8
	277	19
	480	10.9
	120/240*	43.8/21.9
	120/277*	43.8/19
7.0	120	58.4
	277	25.3
	480	14.6
	120/240*	58.4/29.2
	120/277*	58.4/25.3
8.0	120	66.7
	277	29
	480	16.7
	120/240*	66.7/33.4
	120/277*	66.7/29
10.0	120	83.4
	277	36
	480	20.8
	120/240*	83.4/41.7
	120/277*	83.4/36

Single Phase: 12 - 21KW

KW	Input Voltage	Utility Feed Amps
12.0	120	175
	208	101
	240	87.5
	277	76
	480	43.8
14.0	120	204.2
	208	118
	240	102
	277	88.5
	480	51
18.0	120	262.5
	208	151.5
	240	131.3
	277	113.8
	480	65.6
21.0	120	306.3
	208	176.7
	240	153
	277	132.7
	480	76.6



KW	Output Voltage	Max Output Amps
12.0	120	100
	277	43.4
	480	25
	120/240*	100/50
	120/277*	100/43.4
14.0	120	116.7
	277	50.6
	480	29.2
	120/240*	116.7/58.4
	120/277*	116.7/50.6
18.0	120	150
	277	65
	480	37.5
	120/240*	150/75
	120/277*	150/65
21.0	120	175
	277	75.8
	480	43.8
	120/240*	175/87.5
	120/277*	175/75.8